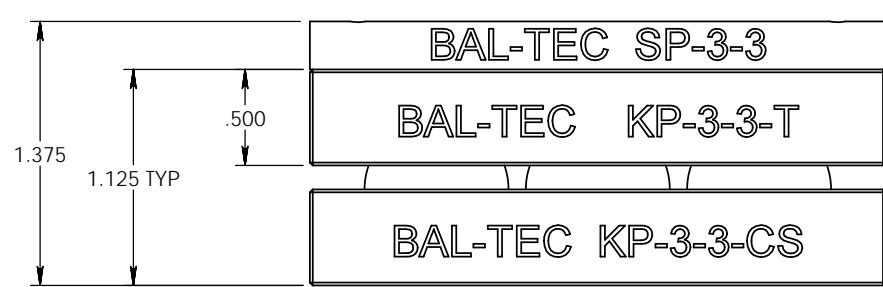
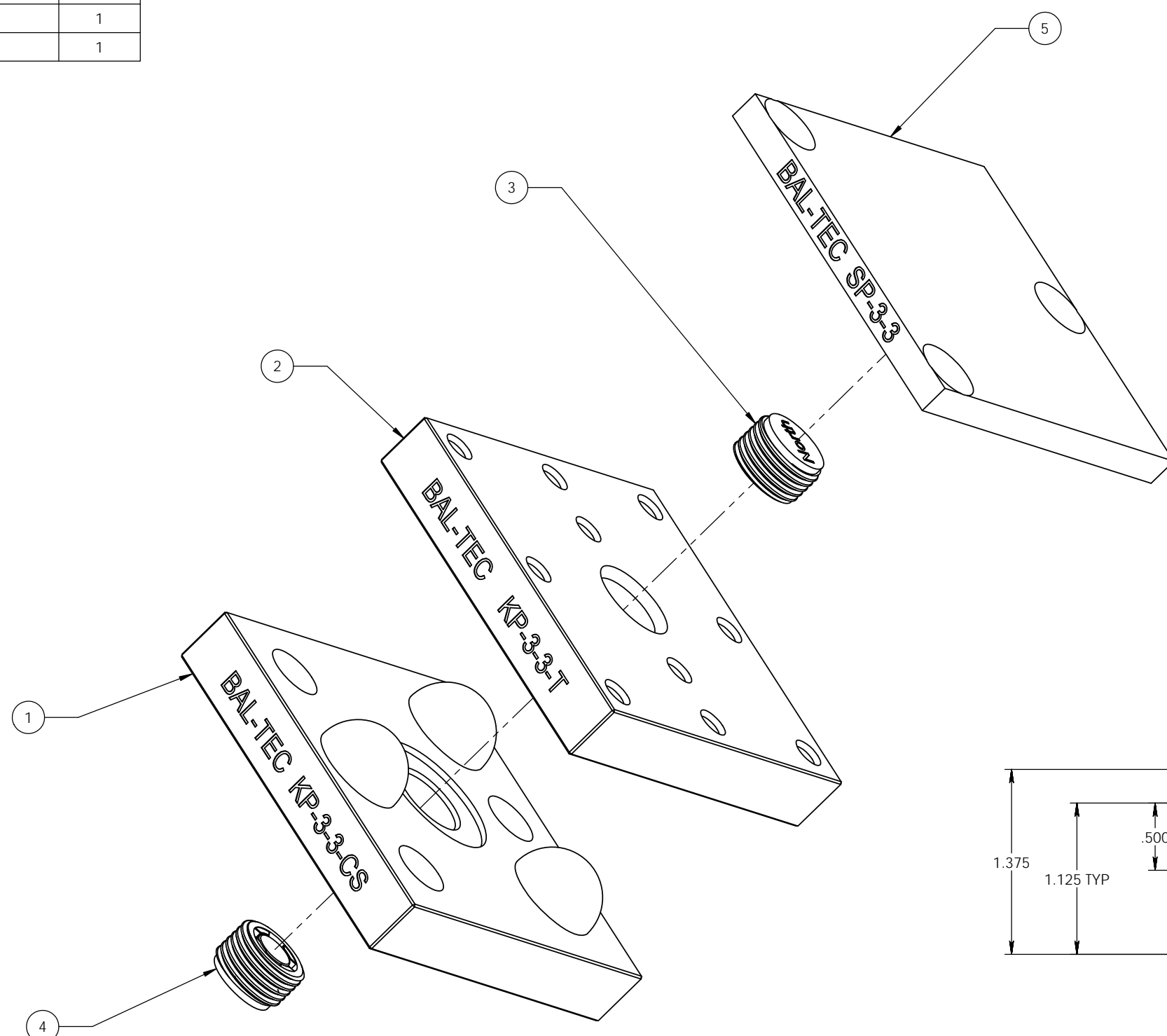



ITEM NO.	DESCRIPTION	QTY.
1	3 x 3 PLATFORM LOWER PLATE	1
2	3 x 3 PLATFORM UPPER PLATE, THREADED	1
3	MAGNETIC PLUG	1
4	MAGNETIC PLUG	1
5	3 x 3 SUB PLATE	1



PROPRIETARY INFORMATION THE INFORMATION CONTAINED IN THIS DRAWING IS THE SOLE PROPERTY OF MICRO SURFACE ENGR. INC. AND IS FURNISHED FOR INFORMATIONAL PURPOSES ONLY. © 2006 MICRO SURFACE ENGR. INC.	UNLESS OTHERWISE SPECIFIED: DIMENSIONS ARE IN MILLIMETERS TOLERANCES: ANGULAR: 1° ONE PLACE DECIMAL ±.25 TWO PLACE DECIMAL ±.125	 Bal-tec 1550 E. SLAUSON AVE LOS ANGELES, CA 90011	TITLE 3 x 3 KINEMATIC PLATFORM		NUMBER KP-3-3	REV 001	
	INTERPRET GEOMETRIC TOLERANCING PER: ANSI Y14.5		ENGINEER G. GLEASON	DWN BY RJV	DATE DRAWN 1/25/11	SIZE B	SCALE 1:1